



## ENGINE

Model	Yanmar 4TNV98C
Emissions Certification	Tier 4 Final
Fuel	Diesel
Cylinders	4
Displacement	203 in <sup>3</sup> (3 319 cc)
Fuel injection	Electronic common rail
Gross horsepower – SAE J1995 @ 2400 RPM:	66.9 hp (49.9 kW)
Net horsepower – SAE J1349 @ 2400 RPM:	65.1 hp (48.5 kW)
Maximum Engine Torque @ 1550 RPM:	173.7 lb ft (235.4 Nm)
Cooling	Water-cooled

## DRIVETRAIN

Travel speeds:	
1st	1.3 mph (2.1 kph)
2nd	2.5 mph (4.1 kph)
Maximum traction force	11,680 lb (5 300 kg)
Gradeability	35° (70%)
Ground pressure	4.8 psi (0.34 kgf/cm <sup>2</sup> )

## ELECTRICAL

Voltage	12 Volts
Alternator rating	60 amp
Battery	1 x 12 V x 100 Ah 850 CCA

## OPERATOR ENVIRONMENT

Enclosed cab w/heat and air conditioning; ISO 6396:2008 sound pressure level LpA=76dB (A); Pilot operated hand controls and foot pedals; Adjustable seat w/seat belt and seat heater; Arm rests; 12V socket; 5.7 in color LCD display; cup holder; Cell phone holder; Bluetooth radio with USB input, 2 speakers and remote control.

Display includes:

Hydraulic oil temp warning lamp; Air cleaner warning lamp; Engine stop warning lamp; Check engine warning lamp; Water in fuel warning lamp; Battery charging warning lamp; Emergency warning lamp; Engine coolant temp warning lamp; Engine oil pressure warning lamp; DPF regeneration inhibit warning lamp; DPF regeneration acknowledge warning lamp; DPF warning lamp; High Exhaust Temperature warning lamp; Low fuel level warning lamp; Engine coolant temperature gauge; Hydraulic oil temperature gauge; Fuel gauge; Engine RPM and Hour meter.

## OPERATING WEIGHT

Cab operating weight:	
Short arm	12,270 lb (5 565 kg)
Long arm	12,320 lb (5 590 kg)

NOTE: w/rubber tracks/no quick coupler/bucket/fluids/full of fuel/165 lb operator.

## HYDRAULICS

Main pumps:	Variable displacement tandem axial piston pump
Max rated flow x 2:	15.3 gpm (57.8 L/min)

Auxiliary flow:

Hammer Circuit 1-way:	
Flow	17.2 gpm (65 L/min)
Pressure	3,191 psi (220 bar)
1st Auxiliary 2-way Circuit:	
Flow	17.2 gpm (65 L/min)
Pressure	3,191 psi (220 bar)
2nd Auxiliary 2-way Circuit:	
Flow	8.7 gpm (33 L/min)
Pressure	2,321 psi (160 bar)

System relief pressure:	
Standard	3,130 psi (220 bar)
Overload relief valve	3,410 psi (240 bar)

Pilot control hydraulic system:

Pump	Gear pump
Maximum capacity	2.5 gpm (9.5 L/min)

Control valves:

Pilot control for left/right track travel, boom, arm, bucket and swing  
Manual control for breaker and backfill blade

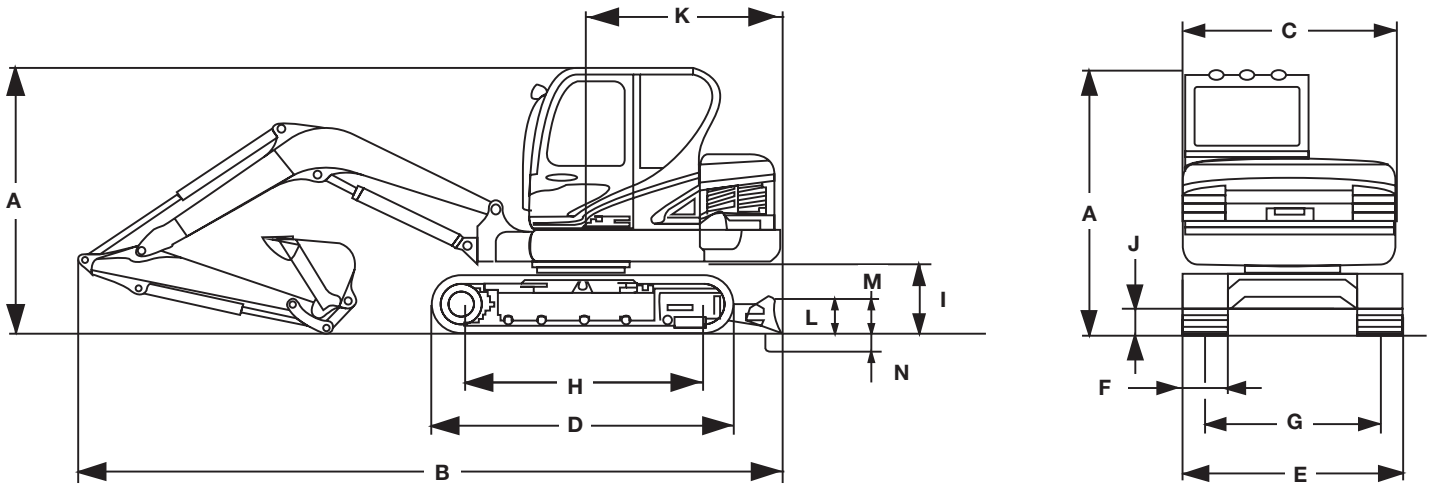
Swing Motor:	Fixed displacement axial piston motor Automatic spring applied hydraulic released brake
Travel Motor:	Variable displacement axial piston 2-stage planetary Automatic spring applied hydraulic released brake

## SERVICE CAPACITIES

Fuel tank	31.7 gal (120 L)
Hydraulic tank:	
Refill capacity	18.5 gal (70 L)
Total system	31.7 gal (120 L)
Engine oil w/filter change	3.1 gal (11.6 L)
Radiator	2.5 gal (9.5 L)

## OTHER SPECIFICATIONS

Swing speed	0 – 9.1 RPM
Undercarriage:	
Track rollers	1 upper/5 lower each
Boom:	
Swing	80° left/50° right
Length	9 ft 10 in (3.0 m)
Arm:	
Standard length	5 ft 3 in (1.6 m)
Long arm length	6 ft 3 in (1.9 m)



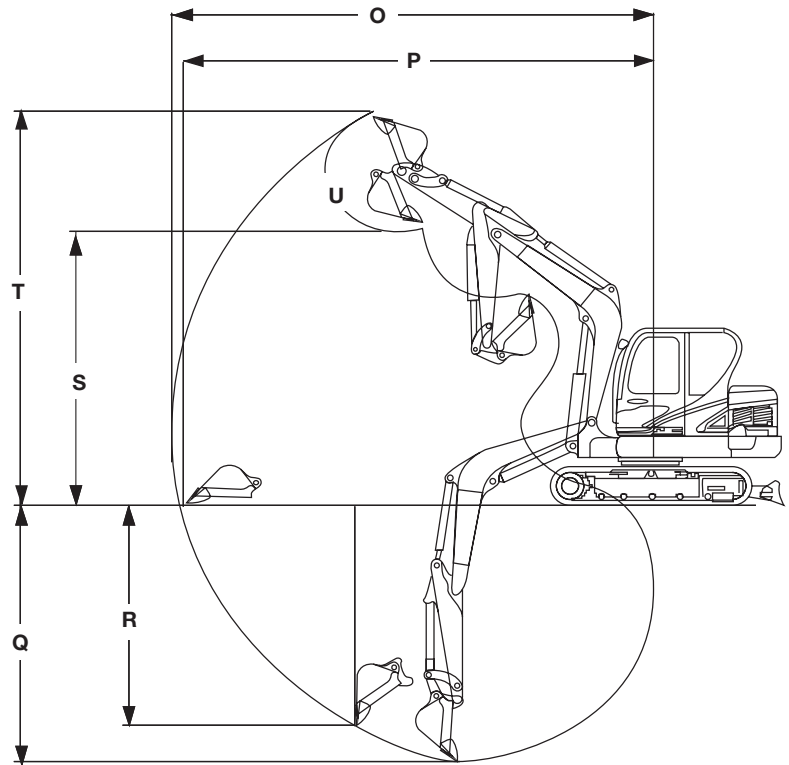
Line drawings are for illustrative purpose only and may not be exact representation of unit.

### DIMENSIONS

	5 ft 3 in (1.6 m) Arm
A. Overall height	8 ft 4 in (2 550 mm)
B. Overall transport length	19 ft 4 in (5 900 mm)
C. Width of upper structure	6 ft 1 in (1 850 mm)
D. Track overall length	8 ft 4 in (2 530 mm)
E. Track overall width	6 ft 4 in (1 920 mm)
F. Track shoe width	15 in (380 mm)
G. Track gauge	4 ft 11 in (1 500 mm)
H. Center to center - idler to sprocket	6 ft 6 in (1 990 mm)
I. Upper structure ground clearance	2 ft 3 in (690 mm)
J. Minimum ground clearance	1 ft 3 in (380 mm)
K. Tail swing radius	5 ft 5 in (1 650 mm)
Boom swing	80° left/50° right
Tail swing overhang	2 ft 3 in (690 mm)

### BLADE SPECS

L. Backfill blade height	1 ft 2 in (350 mm)
M. Backfill blade rise above ground	1 ft 3 in (390 mm)
N. Backfill blade dig depth	1 ft 11 in (590 mm)
Backfill blade width	6 ft 4 in (1 920 mm)



### PERFORMANCE SPECS

	5 ft 3 in (1.6 m) Arm	6 ft 3 in (1.9 m) Arm
O. Maximum dig radius	20 ft 2 in (6 150 mm)	21 ft 0 in (6 400 mm)
P. Dig radius at groundline	19 ft 9 in (6 010 mm)	20 ft 7 in (6 270 mm)
Q. Maximum dig depth	12 ft 6 in (3 820 mm)	13 ft 4 in (4 060 mm)
R. Vertical straight wall dig depth	10 ft 6 in (3 200 mm)	11 ft 4 in (3 460 mm)
S. Dump height	13 ft 3 in (4 050 mm)	13 ft 9 in (4 180 mm)
T. Overall reach height	19 ft 0 in (5 780 mm)	19 ft 5 in (5 920 mm)
U. Bucket rotation	180°	180°
Arm digging force - ISO	7,190 lbf (3 260 kgf/31.9 kN)	6,460 lbf (2 930 kgf/28.7 kN)
Bucket digging force - ISO	9,550 lbf (4 330 kgf/42.4 kN)	9,550 lbf (4 330 kgf/42.4 kN)

**LIFT CAPACITIES**

**9 ft 10 in (3.0 m) Boom, 5 ft 3 in (1.6 m) Arm, Dozer Blade Down Cab unit equipped with 0.18 m<sup>3</sup> (SAE heaped) bucket, 15 in (380 mm) rubber track and 739 lb (335 kg) counterweight.**

Load / Lift Point Height	LOAD RADIUS								MAXIMUM REACH		
	7 ft (2.0 m)		10 ft (3.0 m)		13 ft (4.0 m)		16 ft (5.0 m)		REACH	CAPACITY	
	END	SIDE	END	SIDE	END	SIDE	END	SIDE		@	END
+13 ft (4.0 m)					2,170 lb* (990 kg)*	2,170 lb* (990 kg)*			14 ft 4 in (4.37 m)	2,220 lb* (1 000 kg)*	1,920 lb (870 kg)
+10 ft (3.0 m)					2,340 lb* (1 060 kg)*	2,220 lb (1 010 kg)			16 ft 3 in (4.96 m)	2,150 lb* (970 kg)*	1,490 lb (670 kg)
+7 ft (2.0 m)	6,610 lb* (3 000 kg)*	6,610 lb* (3 000 kg)*	3,660 lb* (1 660 kg)*	3,400 lb (1 540 kg)	2,850 lb* (1 290 kg)*	2,110 lb (960 kg)	2,530 lb* (1 150 kg)*	1,430 lb (650 kg)	17 ft 3 in (5.26 m)	2,240 lb* (1 010 kg)*	1,290 lb (590 kg)
+3 ft (1.0 m)			5,150 lb* (2 340 kg)*	3,080 lb (1 400 kg)	3,470 lb* (1 580 kg)*	1,970 lb (900 kg)	2,780 lb* (1 260 kg)*	1,370 lb (620 kg)	17 ft 6 in (5.33 m)	2,480 lb* (1 120 kg)*	1,220 lb (550 kg)
Groundline	4,160 lb* (1 890 kg)*	4,160 lb* (1 890 kg)*	5,920 lb* (2 680 kg)*	2,910 lb (1 320 kg)	3,910 lb* (1 770 kg)*	1,870 lb (850 kg)	2,940 lb* (1 330 kg)*	1,320 lb (600 kg)	17 ft 0 in (5.17 m)	2,820 lb* (1 280 kg)*	1,250 lb (570 kg)
-3 ft (-1.0 m)	6,870 lb* (3 120 kg)*	5,770 lb (2 620 kg)	5,890 lb* (2 670 kg)*	2,860 lb (1 300 kg)	3,950 lb* (1 790 kg)*	1,830 lb (830 kg)			15 ft 8 in (4.77 m)	3,040 lb* (1 380 kg)*	1,410 lb (640 kg)
-7 ft (-2.0 m)	8,420 lb* (3 820 kg)*	5,890 lb (2 670 kg)	5,100 lb* (2 310 kg)*	2,910 lb (1 320 kg)	3,330 lb* (1 510 kg)*	1,870 lb (850 kg)			13 ft 2 in (4.01 m)	3,310 lb* (1 500 kg)*	1,860 lb (840 kg)
-10 ft (-3.0 m)	4,700 lb* (2 130 kg)*	4,700 lb* (2 130 kg)*							8 ft 3 in (2.52 m)	3,570 lb* (1 620 kg)*	3,570 lb* (1 620 kg)*

NOTE: Lifting capacity are based on ISO 10567.

Lifting capacity does not exceed 75% of tipping load with the machine on firm, level ground or 87% of full hydraulic capacity.

The lift point is a hook located on the back of the bucket.

\*Indicates load limited by hydraulic capacity.

**9 ft 10 in (3.0 m) Boom, 6 ft 3 in (1.9 m) Arm, Dozer Blade Down Cab unit equipped with 0.18 m<sup>3</sup> (SAE heaped) bucket, 15 in (380 mm) rubber track and 739 lb (335 kg) counterweight.**

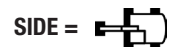
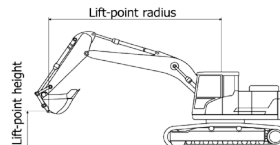
Load / Lift Point Height	LOAD RADIUS								MAXIMUM REACH		
	7 ft (2.0 m)		10 ft (3.0 m)		13 ft (4.0 m)		16 ft (5.0 m)		REACH	CAPACITY	
	END	SIDE	END	SIDE	END	SIDE	END	SIDE		@	END
+13 ft (4.0 m)									15 ft 6 in (4.72 m)	1,860 lb* (850 kg)*	1,690 lb (770 kg)
+10 ft (3.0 m)					2,070 lb* (940 kg)*	2,070 lb* (940 kg)*	2,150 lb* (980 kg)*	1,500 lb (680 kg)	17 ft 3 in (5.27 m)	1,800 lb* (820 kg)*	1,350 lb (610 kg)
+7 ft (2.0 m)			3,170 lb* (1 440 kg)*	3,170 lb* (1 440 kg)*	2,610 lb* (1 180 kg)*	2,150 lb (970 kg)	2,360 lb* (1 070 kg)*	1,450 lb (660 kg)	18 ft 3 in (5.55 m)	1,860 lb* (840 kg)*	1,180 lb (540 kg)
+3 ft (1.0 m)			4,770 lb* (2 170 kg)*	3,150 lb (1 430 kg)	3,280 lb* (1 490 kg)*	2,000 lb (910 kg)	2,660 lb* (1 200 kg)*	1,380 lb (630 kg)	18 ft 5 in (5.61 m)	2,030 lb* (920 kg)*	1,120 lb (510 kg)
Groundline	4,070 lb* (1 840 kg)*	4,070 lb* (1 840 kg)*	5,770 lb* (2 620 kg)*	2,930 lb (1 330 kg)	3,800 lb* (1 730 kg)*	1,890 lb (860 kg)	2,890 lb* (1 310 kg)*	1,320 lb (600 kg)	17 ft 11 in (5.46 m)	2,360 lb* (1 070 kg)*	1,140 lb (520 kg)
-3 ft (-1.0 m)	6,160 lb* (2 790 kg)*	5,720 lb (2 600 kg)	5,960 lb* (2 700 kg)*	2,860 lb (1 300 kg)	3,980 lb* (1 800 kg)*	1,830 lb (830 kg)	2,880 lb* (1 310 kg)*	1,300 lb (590 kg)	16 ft 8 in (5.08 m)	2,800 lb* (1 270 kg)*	1,260 lb (570 kg)
-7 ft (-2.0 m)	9,210 lb* (4 180 kg)*	5,820 lb (2 640 kg)	5,400 lb* (2 450 kg)*	2,880 lb (1 300 kg)	3,160 lb* (1 440 kg)*	1,840 lb (830 kg)			14 ft 5 in (4.40 m)	3,050 lb* (1 380 kg)*	1,600 lb (730 kg)
-10 ft (-3.0 m)	6,150 lb* (2 790 kg)*	6,040 lb (2 740 kg)	3,660 lb* (1 660 kg)*	3,010 lb (1 360 kg)					10 ft 4 in (3.16 m)	3,350 lb* (1 520 kg)*	2,770 lb (1 260 kg)

NOTE: Lifting capacity are based on ISO 10567.

Lifting capacity does not exceed 75% of tipping load with the machine on firm, level ground or 87% of full hydraulic capacity.

The lift point is a hook located on the back of the bucket.

\*Indicates load limited by hydraulic capacity.



## STANDARD EQUIPMENT

### ENGINE

Yanmar 4TNV98C  
Engine access under rear hood  
Glow plug starting aid  
Dry type air cleaner with restriction indicator

### ELECTRICAL

12-volt electrical starting system  
Heavy-duty battery  
Battery Master Switch  
Key Start  
Anti-Theft-Engine starting passwords  
Front and rear working lights  
12 V power outlet  
Auto-idle deature with on/off switch  
Horn  
Pre-wired – Telematics ready

### HYDRAULICS

Auxiliary hydraulics – independent single and bi-directional – and plumbing to arm  
Large hydraulic oil cooler  
Control pattern selector valve  
Cylinder rod protection covers – Boom

### TRACK DRIVE

Rubber belt tracks  
Automatic 2-speed travel  
Fully hydrostatic drive system  
Sealed and lubricated track rollers  
Track tension adjustment – grease type

### UPPER STRUCTURE

Conventional radius tail swing  
Standard arm: 5 ft 3 in (1.6 m)  
Heavy counterweight: 220 lb (100 kg) heavier than standard weight  
Bucket linkage with lifting hook  
Thumb bracket

### OPERATOR ENVIRONMENT

See page 1

### OTHER

Swing boom – 80° left/50° right  
Hydraulic backfill blade

### WARRANTY

Base warranty coverage: 2-Year/3,000-Hour  
Full Machine Limited Warranty

## OPTIONAL EQUIPMENT

### OPERATOR ENVIRONMENT

Rearview camera  
Travel alarm

### TRACK OPTIONS

Tracks:  
Steel Tracks 1 ft 3 in (380 mm)  
Steel Tracks 1 ft 6 in (450 mm)  
Steel Tracks with bolt on Rubber Pads  
1 ft 4 in (400 mm)  
Roadliner tracks – steel chain with rubber grousers/shoes 1 ft 4 in (400 mm)  
Rubber Belt Tracks 1 ft 4 in (400 mm)  
Track guides for steel tracks and steel tracks with bolt on rubber track pads only:  
Full  
3-piece

### OTHER

Optional long arm: 6 ft 3 in (1.9 m)  
Hydraulic quick coupler provision  
Klacc coupler  
Mechanical coupler  
Hydraulic hammer  
Beacon  
2nd auxiliary circuit  
Hydraulic coupler

## CaseCE.com

©2018 CNH Industrial America LLC. All rights reserved. CASE is a trademark registered in the United States and many other countries, owned by or licensed to CNH Industrial N.V., its subsidiaries or affiliates. CNH Industrial Capital is a trademark in the United States and many other countries, owned by or licensed to CNH Industrial N.V., its subsidiaries or affiliates. Printed in U.S.A. Contains 10% post-consumer fiber.

IMPORTANT: CASE Construction Equipment Inc. reserves the right to change these specifications without notice and without incurring any obligation relating to such change. Availability of some models and equipment builds vary according to the country in which the equipment is used. The illustrations and text may include optional equipment and accessories and may not include all standard equipment. Your CASE dealer/distributor will be able to give you details of the products and their specifications available in your area.



CASE Construction Equipment is biodiesel-friendly. NOTE: All engines meet current EPA emissions regulations. All specifications are stated in accordance with SAE Standards or Recommended Practices, where applicable.



Always read the Operator's Manual before operating any equipment. Inspect equipment before using it, and be sure it is operating properly. Follow the product safety signs and use any safety features provided.

Form No. CCE201806CX57C  
Replaces Form No. CCE201709CX57C

CX57C

4 of 4